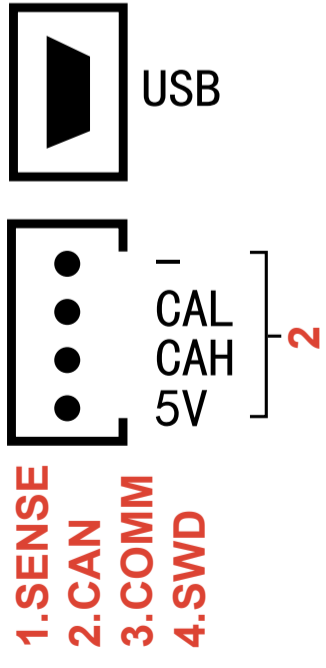
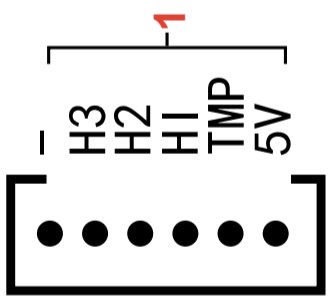
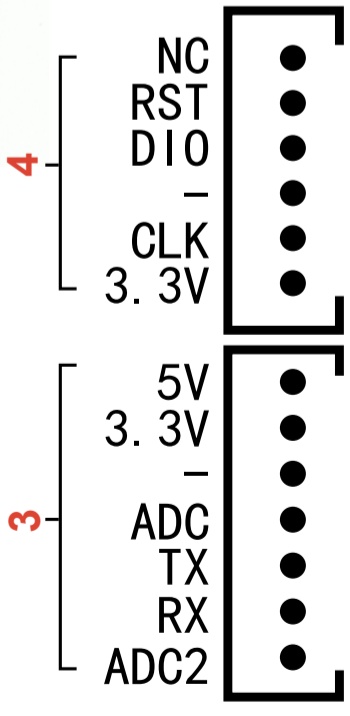


**Bluetooth**



- 1. SENSE
- 2. CAN
- 3. COMM
- 4. SWD

**FSESC 4.12**

5V select this wire