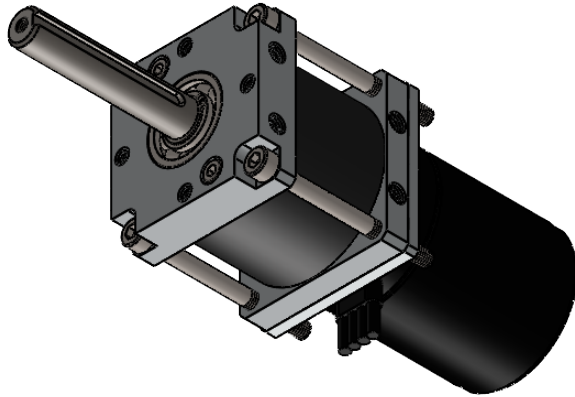
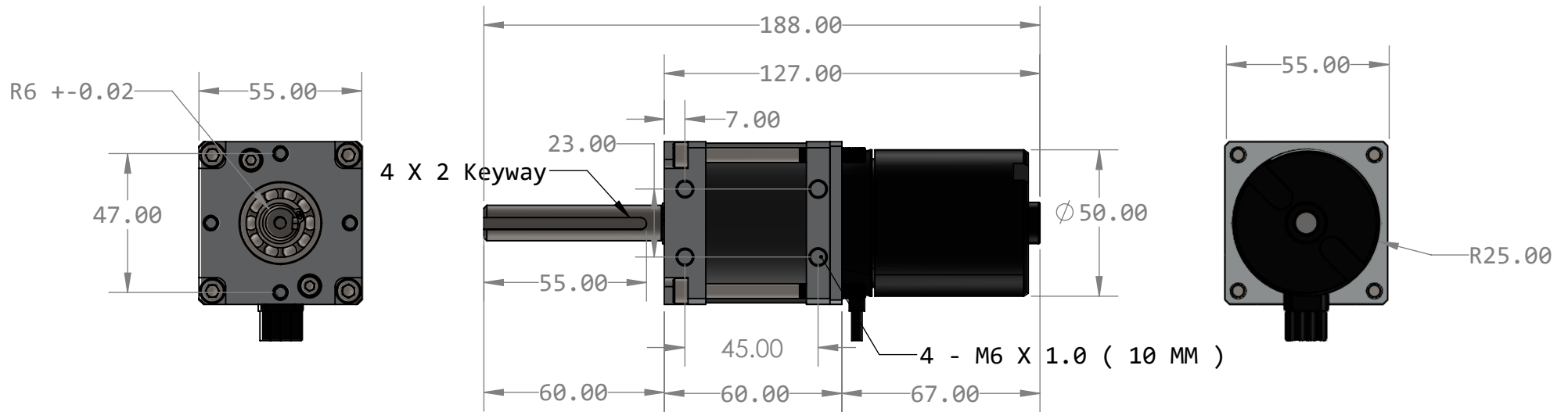


# BBOX 30 V1 WITH FLIPSKY 5065 BLDC 270 KV MOTOR



## A Single Package Contain

- 1) 1 x Gearbox + Motor Assembly
- 2) 1 x 4 mm full length shaft key
- 3) 1 x M6\*10 high tensile socket head screw

MODEL	: BBOX 30 V1 PLANETARY GEARBOX
MOTOR	: FLIPSKY 5065_270KV SENSORED MOTOR
RATIO	: 18:1
TOTAL WEIGHT	: 1133 gram
DIMESNIONS	: 188 * 55 * 55 MM

TECHNOBOTIX PVT LTD

[www.technobotix.in](http://www.technobotix.in)